



Lexmark CX310 Series



Gorgeous color. Great versatility.

The Lexmark CX310 Series MFP color laser printer affordably delivers PANTONE® color matching that's typically found only on higher-end systems. Plus, it provides fast processor, print, copy and scan speeds. Want 2-sided printing capabilities? Get the CX310dn.

Accurate color that's brand-worthy.

The Lexmark CX310 Series MFP delivers rich, consistent color printing that can enhance your company's materials and brand. They're faster and more reliable than ever, so you can be more productive.

Freedom to print on the fly: Produce professional color in-house, on demand. With 512 MB of upgradable memory and a fast dual-core processor, you'll have speed as well as power and convenience.



Color



Up to
25 ppm



Network



Eco-mode



Professional color matching: Lexmark Named Color Replacement and PANTONE® calibration make it easy to develop a consistent brand image by accurately matching your colors.

High resolution graphics: With up to true 1200x1200 dpi resolution, images and graphics stay crisp. Lexmark's Unison™ Toner ensures consistent quality, too.

Super fast and quiet output: Quickly print and copy up to 25 pages per minute in black and color, plus produce a 1-page color document in as little as 12.5 seconds.

More productivity. Less hassle.

Produce everything on the spot—from in-store signage to customer presentations. New features, like an easy-to-read user control panel, large output bin and more, make printing a breeze.

Reliable performance: Easily print up to 5,000 pages per month with fewer maintenance hassles, thanks to our state-of-the-art paper handling.

Run larger jobs without interruption: With an input capacity of up to 900 sheets you won't have to refill the trays as often.



Easy-to-read color display with number pad: Stay on top of your jobs with our convenient 2.4-inch color LCD control panel.

Innovative toner that optimizes performance: Get greater system performance with Lexmark's Unison™ Toner, which delivers consistent image quality from first print to last.

Productive workflow. Sustainable design.

Quickly respond to changing business needs with our eco-friendly printers that streamline your workflow.

Help workers do more: With standard Gigabit Ethernet networking, our system can print jobs from the network faster, so your team can be more productive.

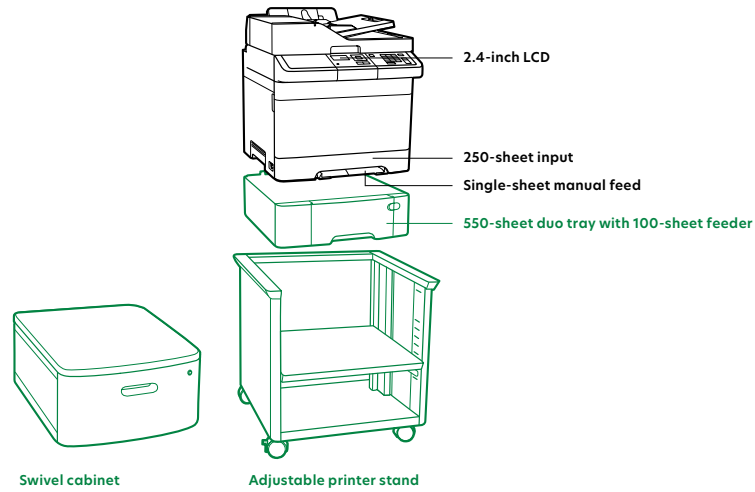
Enjoy enterprise-level security: Now you can authenticate, authorize and audit employee usage. Plus, protect sensitive data using standard network security protocols.

Save resources and the planet: An instant warm-up fuser, built-in 2-sided printing[®], plus Quiet, Hibernate and Eco modes minimize noise and save paper and energy.

Print anytime and anywhere[®]: With this system, you can print from desktops as well as mobile devices that can run applications.

CX310 Series printer features

Standard
 Optional



Product specifications	Lexmark CX310n	Lexmark CX310dn
Printing		
Display	2.4-inch (6 cm) color LCD display	
Print Speed: Up to ³	Black: 25 ppm / Color: 25 ppm	
Time to First Page: As fast as	Black: 11.5 seconds / Color: 12.5 seconds	
Print Resolution	Black: 1200 x 1200 dpi, 4800 Color Quality (2400 x 600 dpi) / Color: 1200 x 1200 dpi, 4800 Color Quality (2400 x 600 dpi)	
Memory / Processor	Standard: 512 MB / Maximum: 2560 MB / Dual Core, 800 MHz	
Hard Disk	Not Available	
Recommended Monthly Page Volume ⁷	500 - 5000 pages	
Maximum Monthly Duty Cycle: Up to ⁵	60000 pages per month	
Copying		
Copy Speed: Up to ³	Black: 25 cpm / Color: 25 cpm	
Time to First Copy: As fast as	Black: 11.5 seconds / Color: 12.5 seconds	
Scanning		
Scanner Type / ADF Scan	Flatbed scanner with ADF / Simplex	
Simplex Scan Speed: Up to	Black: 30 / 32 sides per minute / Color: 30 / 32 sides per minute	
Supplies²		
Laser Cartridge Yields (up to) ¹	1,000-page Black and Color (CMYK) Cartridges, 2,000-page Color (CMY) Cartridges, 2,500-page Black Cartridge	
Photoconductor Estimated Yield: Up to ⁴	40,000 pages, based on 3 average letter/A4-size pages per print job and ~ 5% coverage	
Cartridge(s) Shipping with Product ¹	750-page Black and Color (CMYK) Starter Return Program Toner Cartridges	1,400-page Black and Color (CMYK) Starter Return Program Toner Cartridges
Paper Handling		
Included Paper Handling	250-Sheet Input, 150-Sheet Output Bin, Single-Sheet Manual Feed	250-Sheet Input, 150-Sheet Output Bin, Integrated Duplex, Single-Sheet Manual Feed
Optional Paper Handling	550-Sheet Duo Tray with 100-Sheet Feeder	
Paper Input Capacity: Up to	Standard: 250+1 pages 20 lb or 75 gsm bond / Maximum: 900+1 pages 20 lb or 75 gsm bond	
Paper Output Capacity: Up to	Standard: 150 pages 20 lb or 75 gsm bond / Maximum: 150 pages 20 lb or 75 gsm bond	
Media Types Supported	Card Stock, Paper Labels, Plain Paper, Transparencies, Refer to the Card Stock & Label Guide.	
Media Sizes Supported	A4, A5, Executive, Folio, JIS-B5, Legal, Letter, Universal, Oficio	
General Information⁶		
Standard Ports	USB 2.0 Specification Hi-Speed Certified (Type B), Gigabit Ethernet (10/100/1000)	
Optional Network Ports	MarkNet N8352 802.11b/g/n Wireless	
Noise Level: Operating	Print: 47 dBA / Copy: 48 dBA / Scan: 49 dBA	
Specified Operating Environment	Temperature: 16 to 32°C (60 to 90°F), Humidity: 8 to 80% Relative Humidity, Altitude: 0 - 2896 Meters (9,500 Feet)	
Limited Warranty - See Statement of Limited Warranty	1-Year Onsite Service, Next Business Day	
Size (in. - H x W x D) / Weight (lb.)	18.44 x 17.48 x 21.99 in. / 60.25 lb.	

¹Average continuous black or continuous composite CMY declared cartridge yield up to this number of pages in accordance with ISO/IEC 19798. ²Product functions only with replacement cartridges designed for use in a specific geographical region. See www.lexmark.com/regions for more details. ³Print and copy speeds measured in accordance with ISO/IEC 24734 and ISO/IEC 24735 respectively (ESAT). For more information see: www.lexmark.com/ISOspeeds. ⁴Actual Yield may vary based on other factors such as device speed, paper size and feed orientation, toner coverage, tray source, percentage of black-only printing and average print job complexity. ⁵Maximum Monthly Duty Cycle⁷ is defined as the maximum number of pages a device could deliver in a month using a multishift operation. This metric provides a comparison of robustness in relation to other Lexmark printers and MFPs. ⁶Printers are sold subject to certain license/agreement conditions. See www.lexmark.com/printerlicense for details. ⁷Recommended Monthly Page Volume⁷ is a range of pages that helps customers evaluate Lexmark's product offerings based on the average number of pages customers plan to print on the device each month. Lexmark recommends that the number of pages per month be within the stated range for optimum device performance, based on factors including: supplies replacement intervals, paper loading intervals, speed, and typical customer usage.

© 2015 Lexmark and the Lexmark logo are trademarks of Lexmark International, Inc., registered in the United States and/or other countries. All other trademarks are the property of their respective owners. ENERGY STAR® is a U.S. registered mark.

AirPrint and the AirPrint logo are trademarks of Apple Inc.